

Data Sheet

HAMILTON HYGIENIC SOCKET

The HYGIENIC SOCKET with its space saving design and simple sterilisation is ideal for use in fermenters. It is intended for 120 mm pH, oxygen and conductivity sensors and was developed to ease installation and maintenance, improve cleanability and increase human safety. 2 'Life Guard' openings provide indication of sealing failures. Patent is pending. The sensor insertion depth can be varied by using the 'HAMILTON DO-Adapter' (P/N 242538).

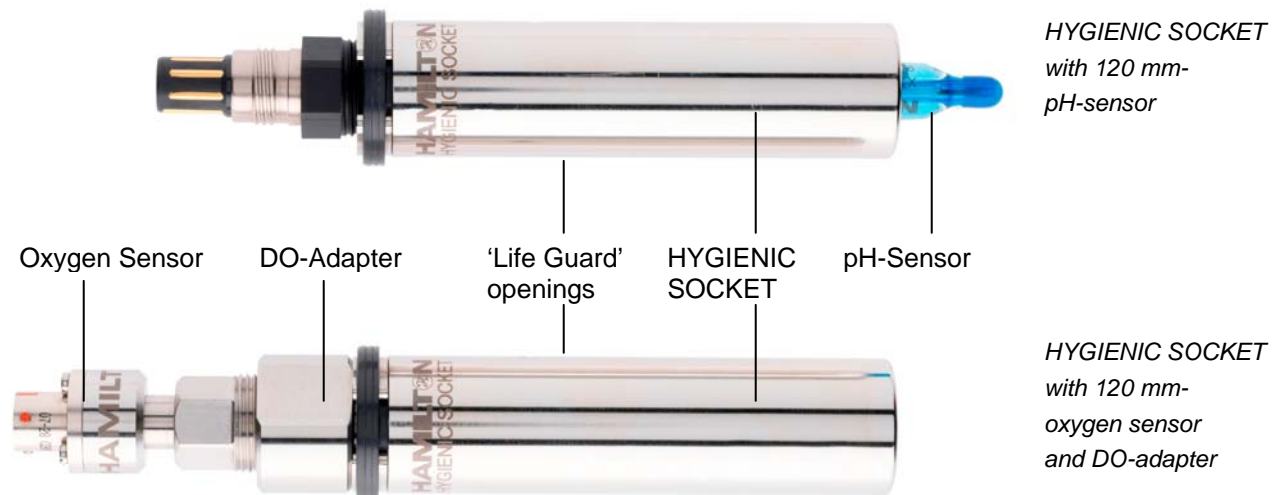
Application Fields:

Pharmaceuticals, biotechnology, foods and beverages industry, chemical industry, water, waste water

Specifications:

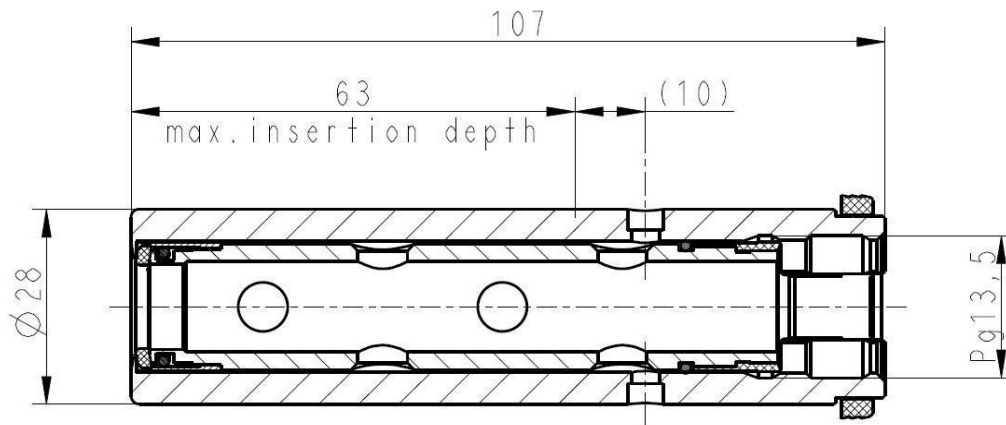
Serial number:	Yes
Certificate:	Yes, 3.1 certificate with heat number
Min. total length:	107 mm
Max. total length:	128.5 mm (with DO Adapter)
Diameter of steel mantle:	28 mm
Sensor insertion depth:	Variable
Armature insertion depth:	Variable
Materials used:	Steel mantle: See Ordering Information Replaceable Seal Pusher: DIN 1.4301 / SS 30
Standard seals:	FDA-EPDM
Temperature range:	-10 ... +140°C
Max. pressure:	16 bar
Weight:	350 g
Electrode type:	12 mm PG 13.5
Electrode shaft length	a = 120 mm
Electrode Thread:	PG 13.5

Appearance:

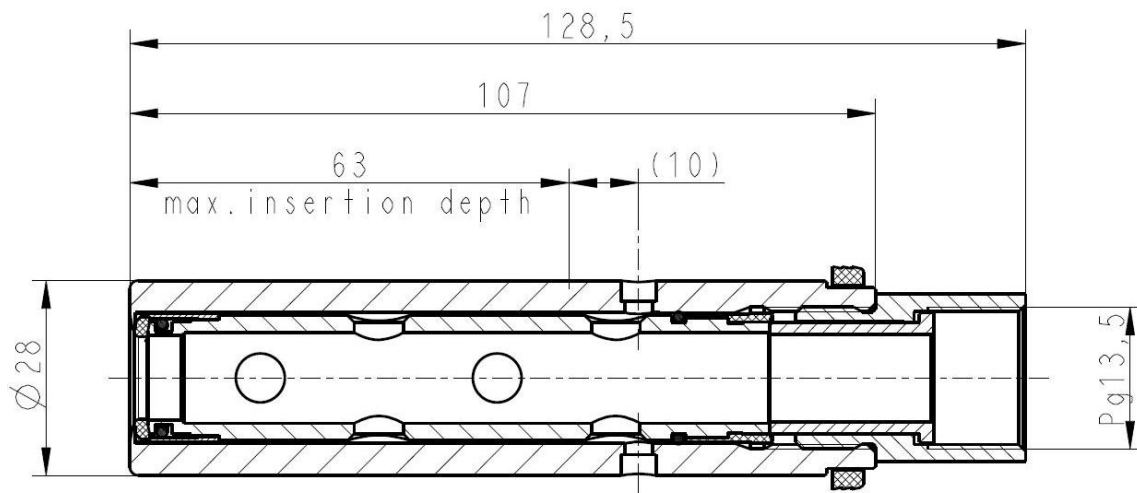


Dimensional Drawings:

HYGIENIC SOCKET:

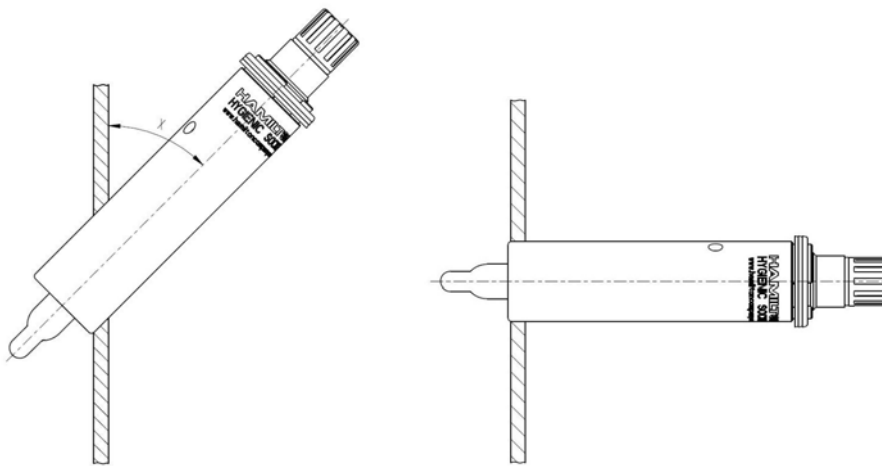


HYGIENIC SOCKET with DO-Adapter:

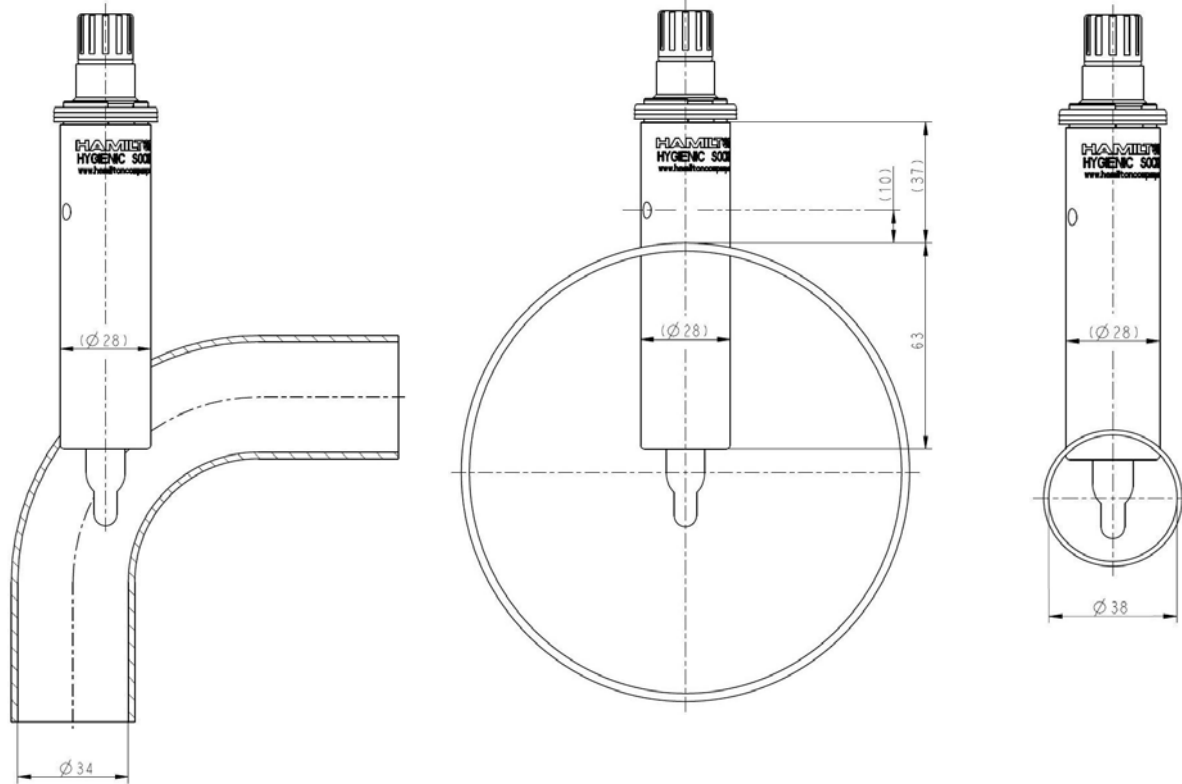


Welding options:

Welding in a wall: Various angles are possible:



The HYGIENIC SOCKET can be welded into pipes of different diameters with various insertion depths:



Ordering Information:

HYGIENIC SOCKET:

Part Number	Description	Length
242535	HAMILTON HYGIENIC SOCKET DIN 1.4404 / SS 316 L	107 mm
242545	HAMILTON HYGIENIC SOCKET DIN 1.4435 / SS 316 L	107 mm
242548	HAMILTON HYGIENIC SOCKET DIN 1.4571 / SS 316 Ti	107 mm
242550	HAMILTON HYGIENIC SOCKET DIN 2.4602 / Alloy-C22	107 mm

Accessories:

Part Number	Description
242538	HAMILTON DO Adapter
242547	Replacement Seal Pusher Kit for Hamilton Hygienic Sockets
242595	HAMILTON Hygienic Socket o-Ring Set EPDM (10 o-rings of each size)
242596	HAMILTON Hygienic Socket o-Ring Set FPM (10 o-rings of each size)
242597	HAMILTON Hygienic Socket o-Ring Set SILICONE (10 o-rings of each size)
242598	HAMILTON Hygienic Socket o-Ring Set FFKM (2 o-rings of each size)